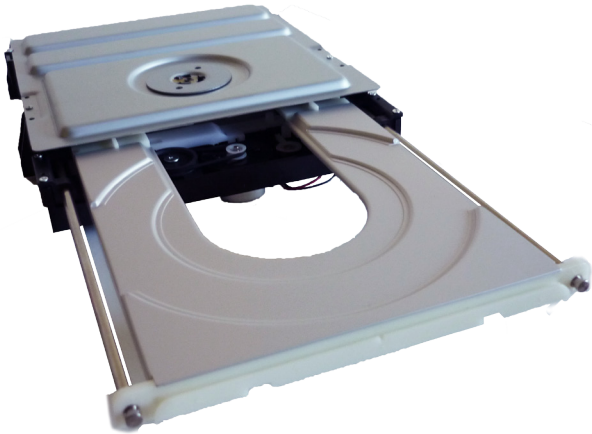


JPL-2800

High-End tray loader for CD/SACD/DVD



Description

The JPL-2800 "SilverStrike" is a tray loading mechanism for use in disc-loading applications such as high end CD/SACD/DVD separates or Home Theatres. It is compatible - in terms of dimensions, mounting points and electrical connections - with a "de facto" industry standard loader.

The tray is an Aluminium-ABS compound framed by high-grade steel rods which are guided in high grade POM material bearings. This combines the noise and vibration damping effects of ABS with a robust metal guiding and the visible touch and feel of the anodized aluminium tray.

AntiVibe system absorbs and dampens vibrations caused by unbalanced discs and prevents noise.

Only first grade materials and components are being used and the loader is fully RoHS compliant.

Versions

The loader is available in following versions:

- ◆ Loading mechanism only for use with a "CE industry compatible" traverse mechanism for CD or DVD (base plate 80mm x 100mm). A traverse mechanism can easily be mounted from the loader bottom without any disassembly of loader parts.
- ◆ Loading mechanism with DM3381 - with Sanyo SF-HD850 OPU - traverse unit mounted. OPU and JST-PH cables are available in different lengths
- ◆ Tray color: silver or black anodized

Specification

Weight: 450g (without traverse mechanism)
Operating temperature: -5°C to 60°C
Storage Temperature: -25°C to 70°C Noise: <70dB;
Shock: >100g; Open/close cycles:>50,000
Electrical connection: 5pin JST connector

Overview

BlueTiger is a connected CD, DVD and BluRay optical drive platform. BlueTiger reference solutions are comprised of a hardware platform, a high quality CD/DVD and Blu-ray loader, and a customizable software framework that enables manufacturers to significantly improve time-to-market and lower development costs when responding to new market opportunities in media convergence.

Applications

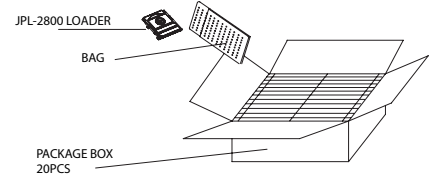
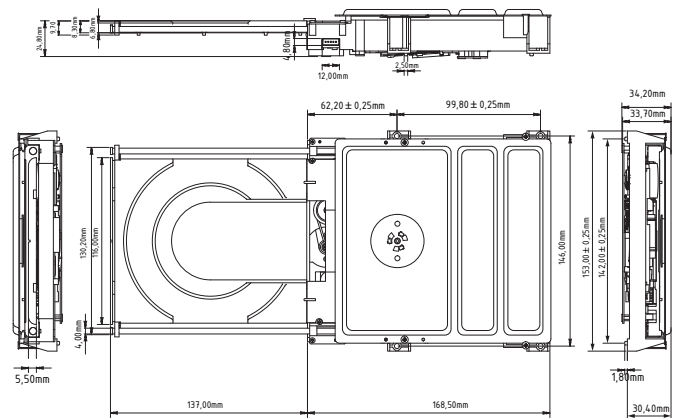
- ◆ CD/SACD/DVD Players and Receivers

Benefits

- ◆ Robust high end tray loader, with choice of 2 market leading OPUs

Availability

Samples: available
In mass production



Further Information

StreamUnlimited Optical Storage GmbH
Gutheil-Schoder-Gasse 10,1100 Vienna, Austria
Phone: +43 1 60101 4918
e-mail: opticalstorage@streamunlimited.com
www.streamunlimited.com